

Intermot Hydraulic Motors

IHM Series

H6 Model

IHM 2500–2800–3000–3200–3500–4000–4500–5000 H6

INDEX

TECHNICAL DATA	Pag. 29
IHM 2500–2800–3000–3200	
3500–4000–4500–5000 H6	Pag. 30
ORDERING INSTRUCTIONS	Pag. 31

IHM H6

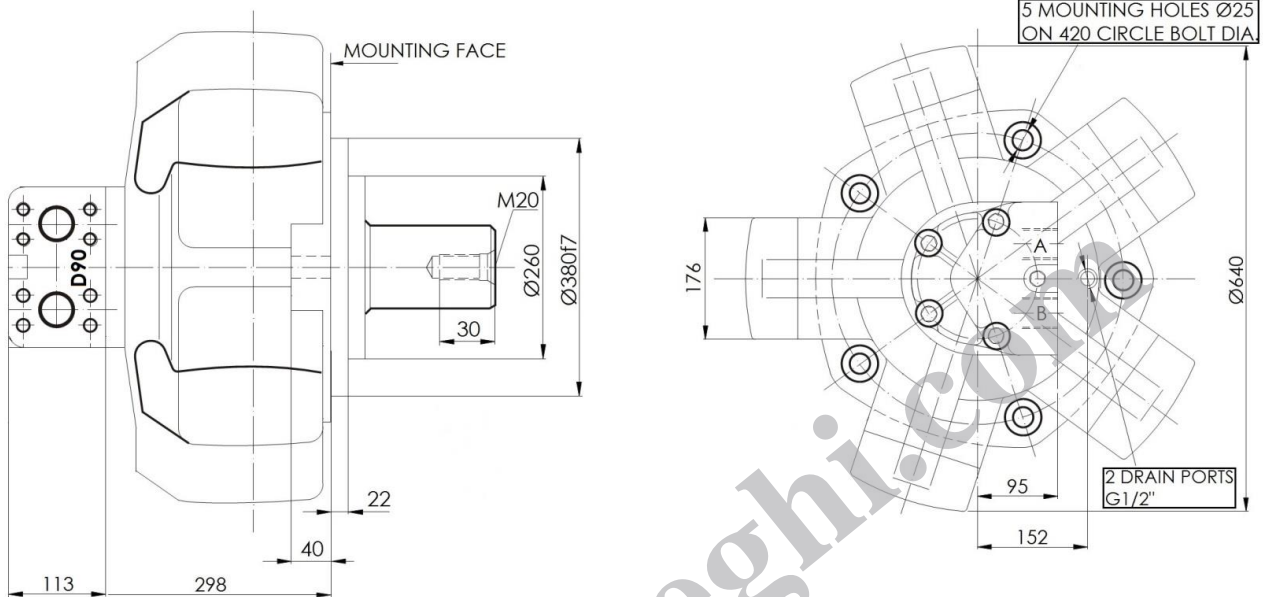
Technical data

MODEL	N° of pistons	Displacement cm3/rev	Pressure		Speed		Torque		Dry Mass kg
			Max Cont.	Peak	Minimum speed	Max speed	Rated	Specific	
			bar		rpm		Nm	Nm/MPa	
IHM H6	2500	2553	250	320	2	200	9438	378	298
	2800	2683	200	250	1	200	7935	397	
	3000	3063	200	250	1	200	9057	453	
	3200	3218	200	250	1	160	9518	476	
	3500	3561	200	250	1	160	10530	527	
	4000	4153	180	225	1	160	11053	614	
	4500	4522	160	200	1	160	10698	669	
	5000	4828	160	200	1	160	11423	714	

IHM H6

Dimensional drawings

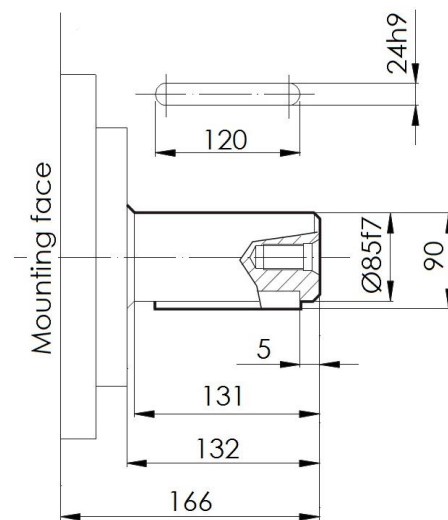
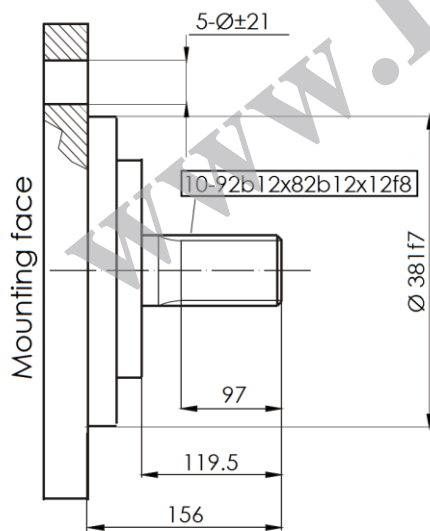
IHM 2500-2800-3000-3200-3500-4000-4500-5000 H6



SHAFTS

A0: Standard splined shaft

A2: Parallel Shaft on Request



For further shaft configurations, please contact our technical department

IHM H6

Ordering instructions

IHM	-----	H6	A __	D __
Model	Displacement	Housing	Shaft	Distributor
2500 cc/rev				
2800 cc/rev				
3000 cc/rev				
3200 cc/rev				
3500 cc/rev				
4000 cc/rev				
4500 cc/rev				
5000 cc/rev				
H6				
A0 – Standard splined shaft				
A2 – Parallel keyed shaft				
D90 – SAE 1 ½ " 6000 psi flange				

EXAMPLE : IHM 3000 H6 A0 D90